

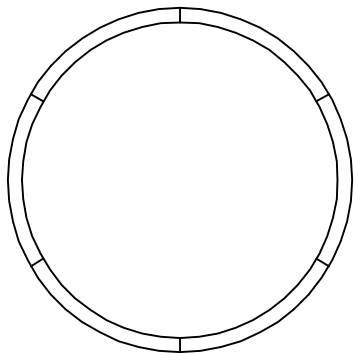
4

3

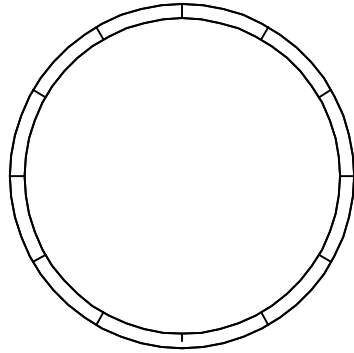
2

1

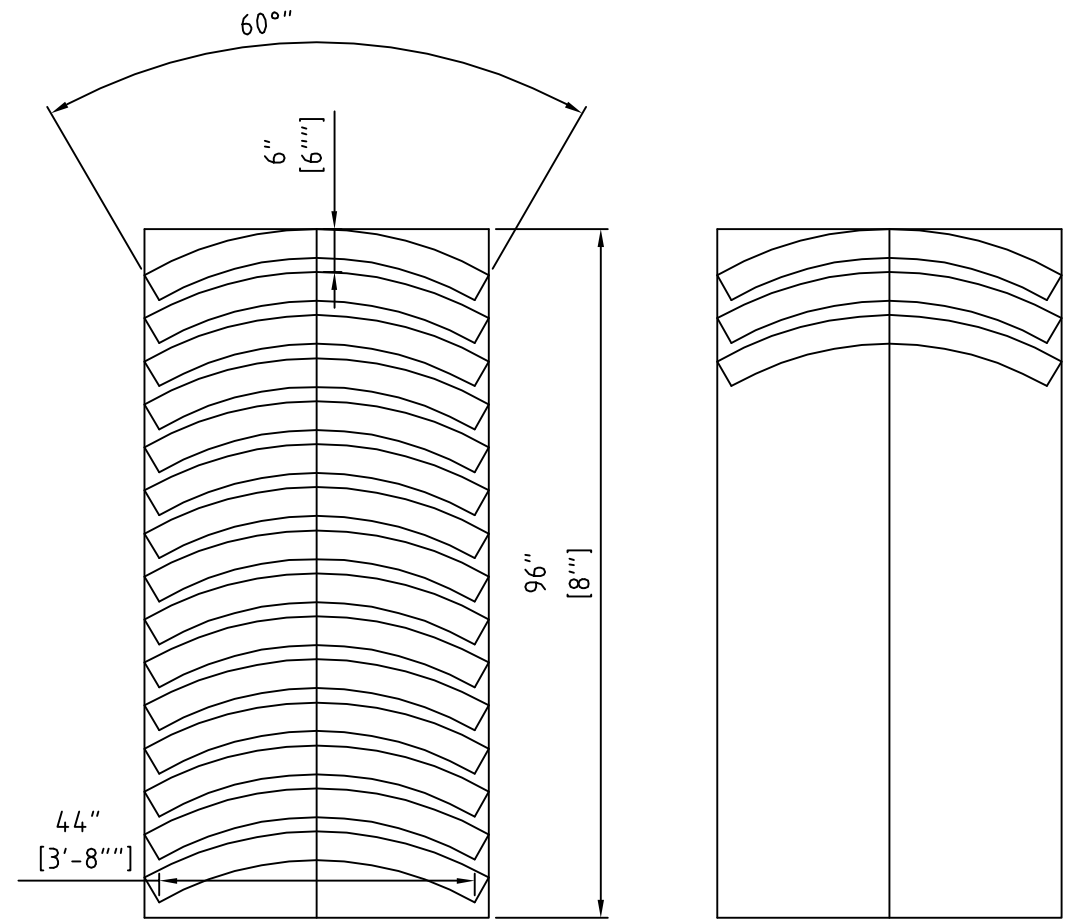
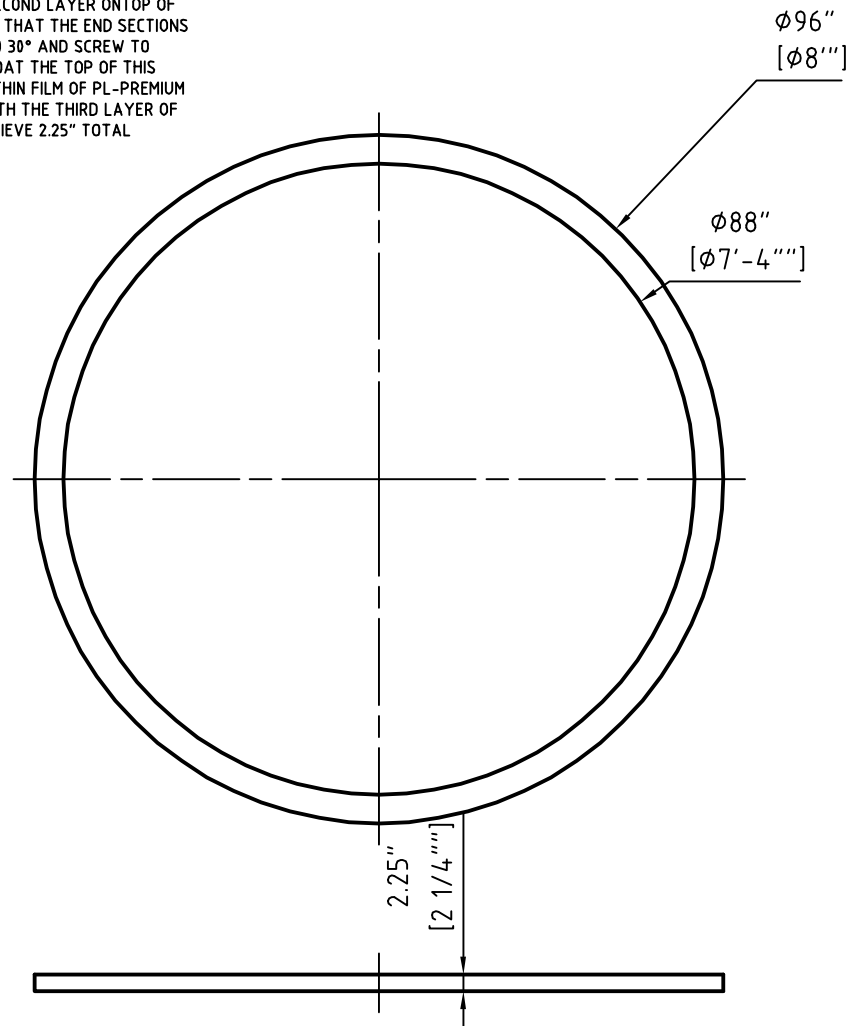
REVISIONS			
REV	DESCRIPTION	DATE	APPROVED
A			



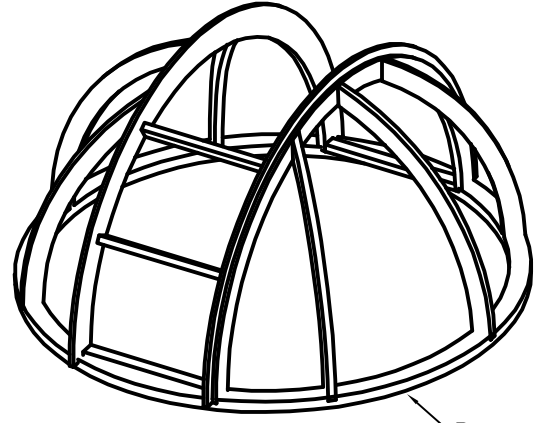
LAY OUT THE FIRST LAYER ON THE FLOOR AND COAT WITH A THIN FILM OF PL-PREMIUM POLYURETHANE GLUE FROM HOME DEPOT



LAY OUT THE SECOND LAYER ON TOP OF THE FIRST SUCH THAT THE END SECTIONS ARE STAGGERED 30° AND SCREW TO FIRST LAYER. COAT THE TOP OF THIS LAYRE WITH A THIN FILM OF PL-PREMIUM AND REPEAT WITH THE THIRD LAYER OF 3/4 PLY TO ACHIEVE 2.25" TOTAL THICKNESS.



4' x 8' x 3/4" PLYWOOD  
18 60° PIECES REQUIRED  
TO MAKE A 3 LAYERED BASE



Base

PROPRIETARY

THE INFORMATION CONTAINED ON THIS DRAWING IS THE PROPERTY OF MIDLAND STARGAZERS AND SHALL NOT BE SHOWN OR EXHIBITED TO ANY PERSONS OR CORPORATION WITHOUT THE EXPRESS WRITTEN CONSENT OF MIDLAND STARGAZERS.

APPROVALS		DATE	<b>MIDLAND STARGAZERS</b>		
DWN			<b>DOMES BASE</b>		
MDES			SIZE B	FSCM NO 36126	<b>1 REQUIRED</b>
ODES			SCALE 1/1	REF: PROJECT	REV A
COAT			SHEET <b>2 OF 4</b>		
PROD			PART NO. CONSISTS OF DRAWING NO. PLUS DASH NO.		
QA			1		
CMO					

4

3

2

1

B

A

B

A

DWG NO 000000  
SHT REV A